

# STORBOX S-250

The cassette awning for small large spaces





The STORBOX S-250 cassette awning makes small spaces great. Thanks to its features and functionality, this model transforms balconies and terraces that require no more than 2.5 metres of projection, turning them into much more usable and comfortable areas. It offers effective protection from the sun, allowing these outdoor spaces to become an extension of the home, ideal for enjoying a cosy atmosphere at any time of day.

**LLAZA**



The STORBOX S-250 optimises the use of available space, bringing elegance and modernity to any balcony or terrace, improving not only its functionality but also its aesthetics. Furthermore, it is the first awning on the market with patented automatic fastening technology, which is particularly useful for ceiling installations. This innovation guarantees safety and ease of installation for a box that covers up to 4.5 metres.

## EASY, QUICK AND SAFE INSTALLATION



One of the most common installation methods for awnings is ceiling mounting. In residential buildings, most terraces and balconies are covered by the floor above, making it more practical and functional for the user to have the awning on the overhang.

## CLIP&FIXPT SYSTEM: INNOVATIVE SELF-SUPPORTING SYSTEM

The STORBOX S-250 features the innovative CLIP&FIXPT mechanism, a patented self-supporting system during installation that allows the awning to be positioned and pushed onto the plate, making it completely self-supporting. This eliminates the need to carry its weight and leaves your hands free to finish fixing it comfortably.



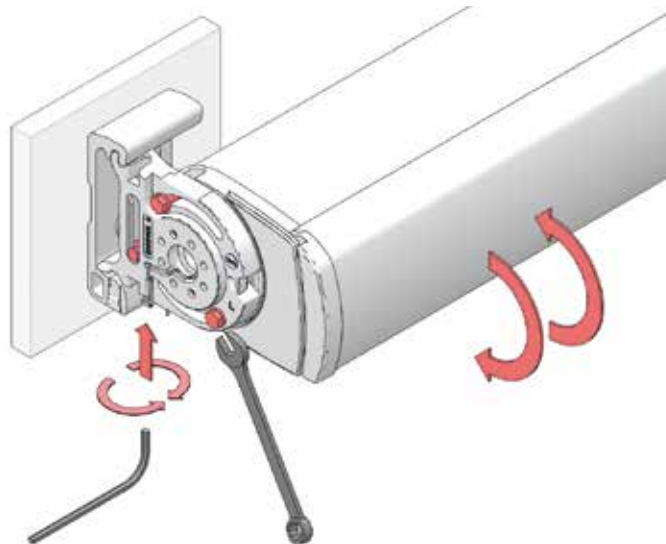
The CLIP&FIXPT mechanism is based on an automatic retainer which, once the awning has been pushed into place, holds it in position on the plate until the screws have been tightened.

Push to clip, fix and you're done. This is a summary of the installation steps.

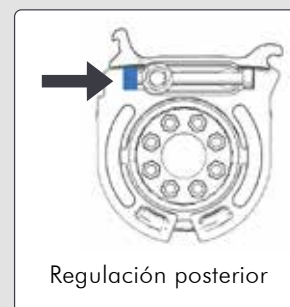
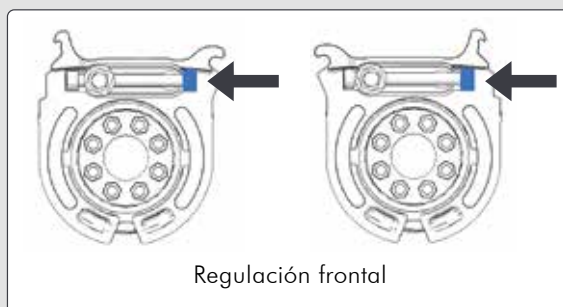


## MAXIMUM INCLINATION

The STORBOX S-250 offers an impressive tilt range of 0° to 75° for both front and ceiling installations. This feature is ideal for shading balconies exposed to the sun in the early morning and late afternoon, as well as providing greater insulation and privacy for the user.



Regulation always accessible  
By turning the mechanism, the tilt regulation system is accessible from both the front and the rear in ceiling installations.

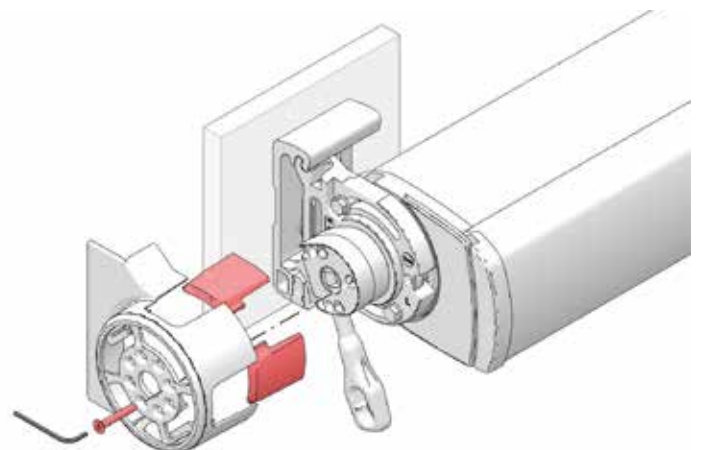


## MANUAL OR MOTORISED DRIVE



Versatile drive, accessible design and finish protection

- The mechanism can be operated from the front or rear of the awning.
- The side cover design offers two positions for the eye bolt outlet, facilitating access to the crank handle.
- No need to break the cover or damage the lacquer coating.



100% METAL · 100% ADJUSTABLE

- The box covers are made of metal, ensuring total aesthetic uniformity and durability that is as long-lasting as the awning mechanism itself.
- The design of the covers is optimised to minimise the space between two awnings when they are installed in line.
- Front installation of the motor cover, whether the awnings are installed in line or between walls.



### Concealed fixing plates

The aluminium covers have been designed to cover the space up to the wall, concealing the plates and screws that would be visible on other models.



### Integrated LED lighting

The box profile is equipped with a slot to accommodate an LED strip, providing warm or neutral lighting to the balcony or terrace.



### Versatile fastening

The fastening plate is suitable for chemical anchors and mechanical anchors.



### Quick and easy front access

The roller assembly can be inserted and removed from the top thanks to the automatic tip support, making it easy to change the motor or fabric without having to dismantle the awning.



The STORBOX S-250 cassette awning combines technical features specifically developed to make these installations easier, faster and safer.

Advanced technology and state-of-the-art features within everyone's reach.

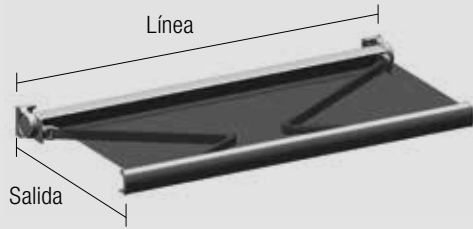
## LLAZA ART SYSTEM

### Recommended arms

- Revolutionary flat belt tensioning system, a pioneer in the awning market, consisting of steel cables covered with polyamide protection.
  - Prevents erosion of the lacquered layer, keeping the protective layer intact.
  - The ART tensioning system has a clean appearance and the D-shaped design of the profiles gives it a harmonious look where the forearm and post-arm are dimensionally balanced.
  - Bushings applied in the rotation areas to minimise friction.



Dimensiones máximas (m)



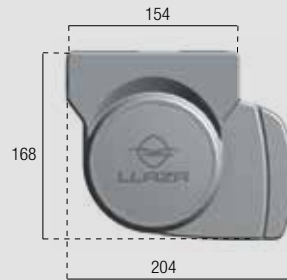
Nº. Brazos	Línea máx.	Salida máx.
2	4,50	2,50

Cotas (mm)

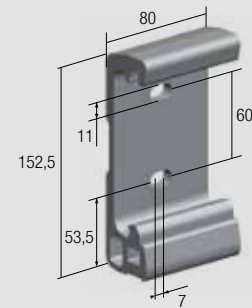
Instalación frontal



Instalación a techo



Placa soporte pared-techo



Instalaciones habituales

Balcones



Terrazas



Accionamiento

- Manual
- Motorizado
- Automatizado

Sujeción

- Frontal
- A techo

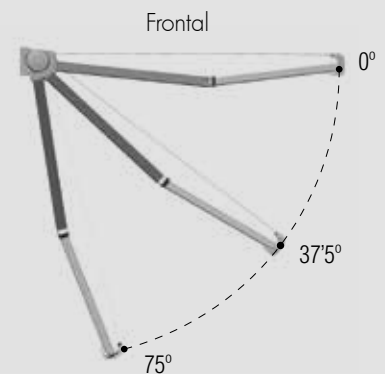
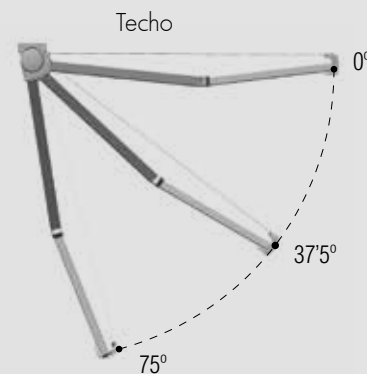
Posibilidades de iluminación

- Perfil cofre
- Perfil frontal
- Brazos

Acabados

lacado según normativa QUALICOAT  
Tornillería de acero inoxidable  
Brazos con lacado integral

Grados de inclinación



Líneas mínimas para brazos recomendados (m)

Salida	Línea mínima	
	Motor	Máquina
1,25	1,53	1,56
1,50	1,78	1,81
1,75	2,03	2,06
2,00	2,28	2,31
2,25	2,53	2,56
2,50	2,78	2,81

Clasificación

Normativa: UNE-EN 13561:2015



Viento  
Hasta 28Km/h



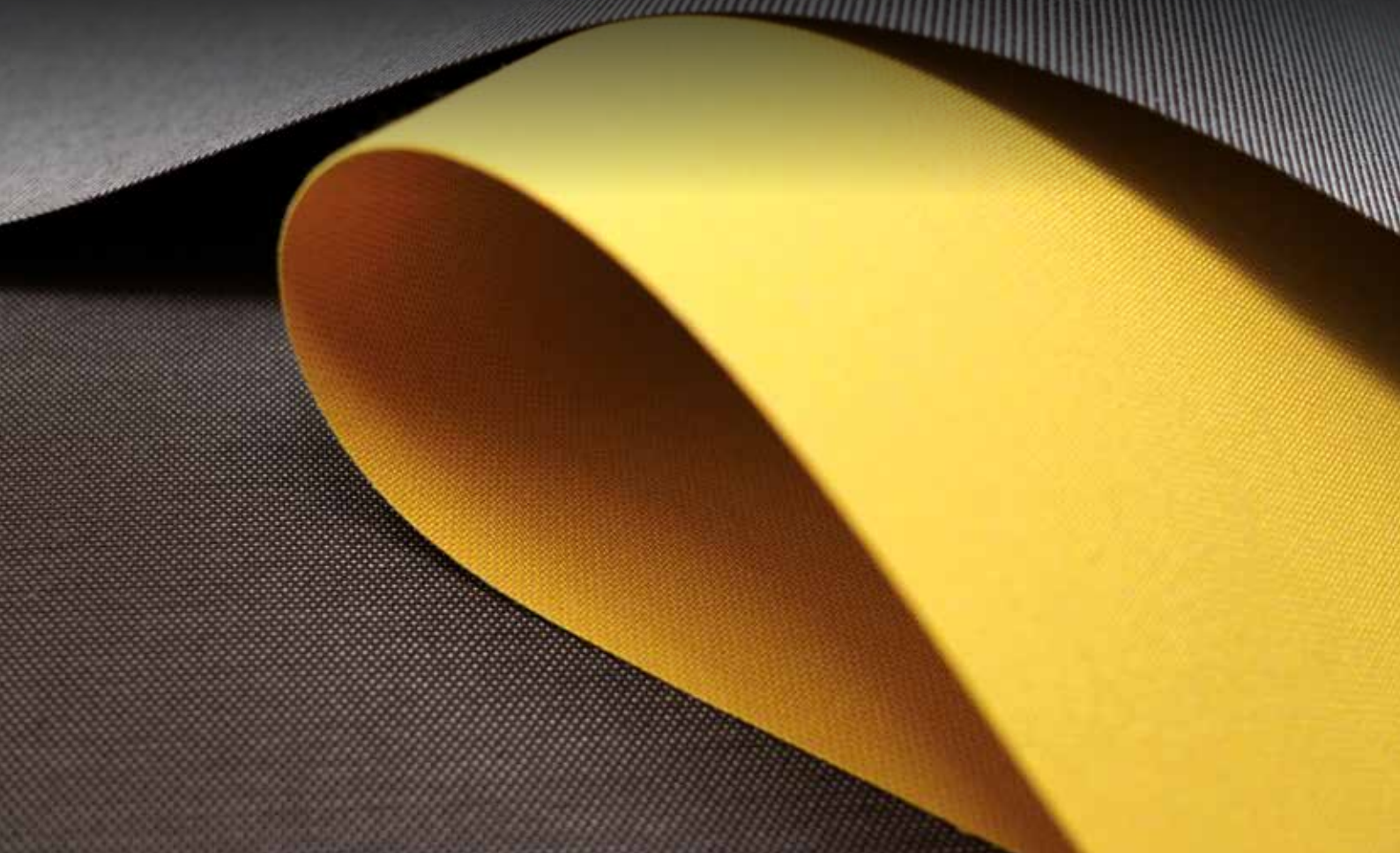
Durabilidad  
Min.10.000 maniobras

Recomendado con brazos

LLAZA ART-250 System



ART-250



HABITAT LLAZA brings together the strengths of two major brands to offer sun protection with every guarantee of functionality and quality. We provide professionals with a wide selection of fabrics, allowing them to find the right features for every need.

**recocril**  
DESIGN LINE

High-performance fabric made from mass-dyed acrylic fibre. Finished with the special 'Infinity' treatment for awnings that repels water and dirt, creating a stain- and mould-resistant barrier while allowing the canvas to breathe. Available in a wide range of colours.

**RecScreen**

From the range of polyester screen fabrics, RecScreen 4000P, RecScreen 6000 and RecScreen 7000, with opening coefficients of 1%, 2% and 3% respectively. These models provide enhanced thermal comfort, glare control and privacy, without compromising on good visibility to the outside and effective use of natural light.

**Recsystem**<sup>®</sup>

High-performance fabric made from mass-dyed acrylic fibre, semi-impermeable with weldable resin on one side, withstanding water columns of over 800 mm. Finished with the special 'Infinity' treatment for awnings that repels water and dirt, creating a stain- and mould-resistant barrier while allowing the fabric to breathe.

**RECAFLEX PRO**

Fabric composed of HT 1100 dtex polyester coated with reversible translucent waterproof PVC with a smooth glossy finish lacquered on both sides.

**Recwater**

Translucent waterproof fabric, made from mass-dyed acrylic fibre with a satin PVC backing in the same colour as the acrylic side, 50% mass-dyed acrylic fibre and 50% PVC. Finished with the special 'Infinity' treatment for awnings that repels water and dirt, creating a stain- and mould-resistant barrier.



mk@llaza.com  
export@llaza.com  
T. +34 977 990 600

[www.llaza.com](http://www.llaza.com)

LLAZA WORLD, S.A.  
Tramuntana, 1  
Pol. Ind. Roques Roges  
43460 ALCOVER - SPAIN

ed. LLAZA WORLD S.A. 10/2024 | Ref. 45094098000